

Commercial Evaporative Cooling

AOLAN
Evaporative Cooling Systems

AOLAN Industry Co. Ltd is one of the leading manufactures of Evaporative Air Coolers in the world, producing high quality, energy saving and environmentally friendly products.



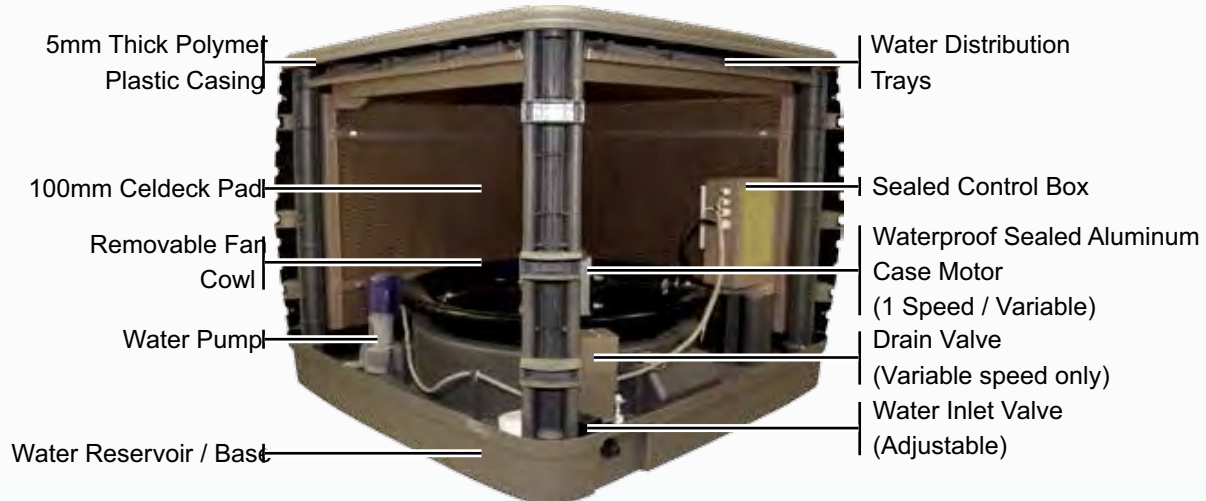
Energy Efficient, Cost Effective Cooling
By Evaporative Cooling

www.AolanACAV.co.za

All products boast ISO9001:2000 approval, as well as CE and SASO certificates for a worldwide market.

Today, products can be found in more than 20 countries all over the world including Southern Africa.

Promise



Water Distribution Trays

Exclusive design ensures uniform water distribution and saturation of the cooling pad with no clogging.

Celdeck Pads

Our cooling pad is a matrix of transverse layers of corrugated fibre sheeting. It is durable and efficient in presenting a water surface to the passing air. 100mm pads are used to ensure maximum saturation efficiency.

Fan Cowl

Aerodynamically engineered removable fan cowl assembly for convenient maintenance.

Drain Valve

Optional automatic drain valve

Water Pump

Durable water pump provides exceptional reliability in extreme conditions.

Adjustable Water Inlet Valve

Adjustable float, manages the water level in the reservoir.

Variable Speed

Different control options provide flexibility and reliability for various applications.

Sealed Aluminum Case Motor

The aluminum case motor is custom designed for evaporative coolers providing long term reliability.

DOWN DISCHARGE

Variable Speed Inverter Units



SPECIFICATIONS



- Streamline design, durable and elegant appearance.
- High strength polymer external casing.
- Specially-designed axial fan with large airflow, low noise and energy-saving design.
- High quality aluminum housing motor
- Highly efficient cooling pads with large evaporation capacity and good cooling efficiency.



AZV16-10X

AZV18-10X

AZV25-10X

Airflow	m ³ /h	16000	18000	30000
Pressure	Pa	160	190	366
Input	Kw	1.2	1.2	4.0
Output	Kw	0.75	1.1	3.0
V/Hz		230/50	230/50	230/50
Rated Current	A	5.6	8.4	14.3
Fan Type		Axial	Axial	Axial
Fan Speed		1-phase, var-speed	1-phase, var-speed	1-phase, 2-speed
Noise	dBA	≤75	≤76	≤78
Dimension L X W X H	mm	1030 X 1030 X 833	1170 X 1170 X 1052	1250 X 1250 X 1426
Dropper Duct Dimension		545 X 545	630 X 630	770 X 770
Fan Diameter		ø500	ø600	ø710
Application Area	m ²	80-120	100-150	250-300
Drive Distance	m ²	20-25	25-50	40-50
Net Weight	Kg	49	84	120
Operation Weight	Kg	67	124	175
Auto Cleaning		Yes	Yes	Yes
Water Lack Protection		Yes	Yes	Yes
Water Consumption	Liter	12-20	15-25	30-40
Water Capacity	Liter	18	40	55

TOP DISCHARGE

Variable Speed Inverter Units



SPECIFICATIONS



- Streamline design, durable and elegant appearance.
- High strength polymer external casing.
- Specially-designed axial fan with large airflow, low noise and energy-saving design.
- High quality aluminum housing motor
- Highly efficient cooling pads with large evaporation capacity and good cooling efficiency.



		AZV16-10S	AZV18-10S	AZV30ZS-11S
Airflow	m ³ /h	16000	18000	30000
Pressure	Pa	160	190	366
Input	Kw	1.2	1.2	4.0
Output	Kw	0.75	1.1	3.0
V/Hz		230/50	230/50	230/50
Rated Current	A	5.6	5.6	14.3
Fan Type		Axial	Axial	Axial
Fan Speed		1-phase,variable-speed	1-phase,variable-speed	1-phase,1-speed
Noise	dBA	≤75	≤76	≤78
Dimension L W H	mm	1030 X 1030 X 833	1170 X 1170 X 1052	1250 X 1250 X 1426
Dropper Duct Dimension		545 X 545	645 X 645	755 X 755
Fan Diameter		ø500	ø600	ø710
Application Area	m ²	80-120	100-150	250-300
Drive Distance	m ²	20-25	25-50	40-50
Net Weight	Kg	49	90	147
Operation Weight	Kg	67	130	202
Auto Cleaning		Yes	Yes	Yes
Water Lack Protection		Yes	Yes	Yes
Water Consumption	Liter	12-20	15-25	30-40
Water Capacity	liter	18	40	55

SIDE DISCHARGE

Variable Speed Inverter Unit



SPECIFICATIONS



- Streamline design, durable and elegant appearance.
- High strength polymer external casing.
- Specially-designed axial fan with large air flow, low noise and energy-saving design.
- High quality aluminum housing motor
- Highly efficient cooling pads with large evaporation capacity and good cooling efficiency.



AZV16-10C

Airflow	m ³ /h	16000
Pressure	Pa	160
Input	Kw	1.2
Output	Kw	0.75
V/Hz		230/50
Rated Current	A	5.6
Fan Type		Axial
Fan Speed		1-phase, variable-speed
Noise	dBA	≤75
Dimension L W H	mm	1030 X 1130 X 833
Dropper Duct Dimension		545 X 545
Fan Diameter		ø500
Application Area	m ²	80-120
Drive Distance	m ²	20-25
Net Weight	Kg	55
Operation Weight	Kg	73
Auto Cleaning		Yes
Water Lack Protection		Yes
Water Consumption	liter	12-20
Water Capacity	liter	18